

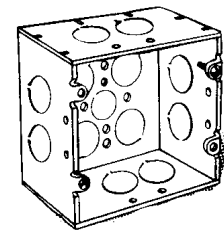
2- steel Boxes

2.1- Terminal Boxes

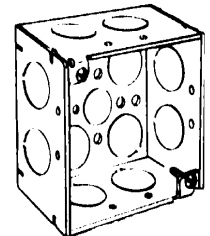
Material	Carbon steel 37
Finish	<ul style="list-style-type: none"> • Pre-Galvanized • Electro plated
TECHNICAL DATA	<ul style="list-style-type: none"> • Our steel boxes are available with or without Brass Earth terminals • Any Other size is available • Thickness 1,1.25&1.5mm available • Extension terminal boxes are available with 25,30,40mm depth

• square & rectangle Terminal Boxes

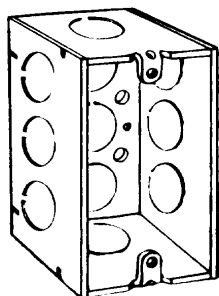
Code	H	W	D	Fixed Lugs	Knockouts (NO.X Diameter)	
					Sides	Bottom
B2TBSPF101	102	102	75	2	16X25	4X25
B2TBSPF102	102	102	50	4	4X19, 4X25	3X19, 2X25
B2TBSPF103	102	102	40	2	4X19, 4X25	2X19, 2X25
B2TBSPF104	95	60	40	2	2X19, 4X25	2X25
B2TBSPF105	85	85	40	2	4X19	1X19
B2TBSPF106	70	70	40	2	4X19	1X19
B2TBSPF107	70	60	40	2	4X19	1X19
B2TBSPF108	124	60	60	2	3X19, 5X25	1X19, 2X25
B2TBSPF109	130	70	40	2	3X19, 5X25	1X19, 2X25
B2TBSPF110	135	70	40	4	3X19, 5X25	1X19, 2X25
B2TBSPF111	135	60	50	2	3X19, 5X25	1X19, 2X25
B2TBSPF112	136	70	50	2	6X25	-----
B2TBSPF113	170	70	60	4	5X19, 5X25	-----



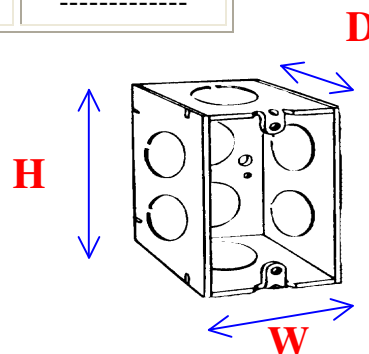
B2TBSPF102



B2TBSPF103



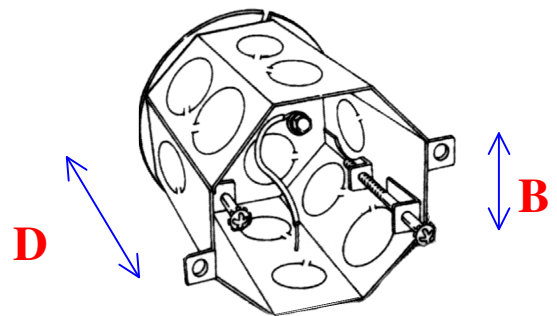
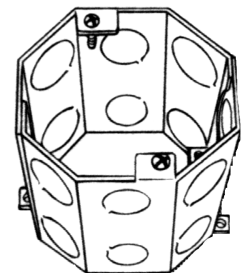
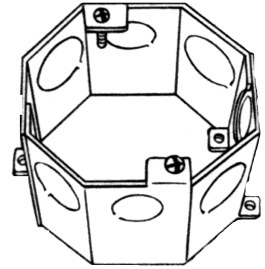
B2TBSPF109



B2TBSPF104

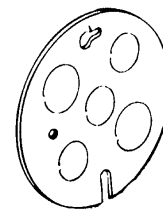
• Octagonal Terminal Boxes

Code	B	D	Fixed Lugs	NO. Rows	Knockouts (NO.X Diameter)
					Sides
B2TBSPOF101	25	50	2	Single	12 & 19
B2TBSPOF102	32	60	2	Single	12 & 19
B2TBSPOF103	36	75	2	Single	12 & 19
B2TBSPOF104	36	75	2	Single	19 & 25
B2TBSPOF105	43	90	2	Double	12 & 19
B2TBSPOF106	43	90	2	Single	19 & 25
B2TBSPOF107	50	100	2	Double	12 & 19
B2TBSPOF108	50	100	2	Double	19 & 25
B2TBSPOF109	62	125	2	Double	12 & 19
B2TBSPOF110	75	150	2	Double	12 & 19
B2TBSPOF111	50	100	2	Double	12 & 19

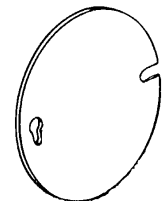


• Back Plate & Plate Cover

Code	DESCRIPTION	Knockouts (NO.X Diameter)
B2TBCSPOF101	BACK PLATE	3X12 & 2X19
B2TBBSPPOF101	PLATE COVER	-----



B2TBCSPOF101



B2TBBSPPOF101

STEEL BOXES

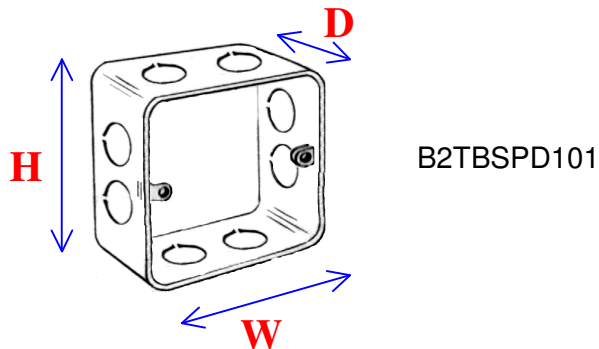


2.2- Deep drawn terminal boxes

Material	Carbon steel 37
Finish	• Electro plated
TECHNICAL DATA	• Our steel boxes are available with or without Brass Earth terminals

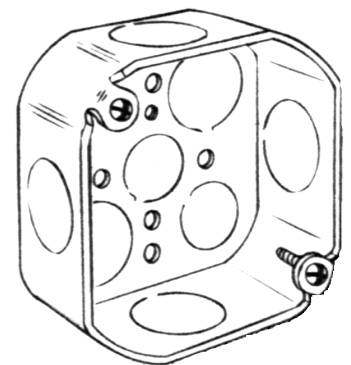
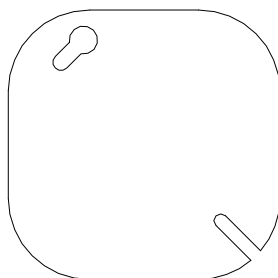
• rectangle & square Terminal Boxes

Code	H	W	D	Fixed Lugs	Knockouts (NO.X Diameter)	
					Sides	Bottom
B2TBSPD101	100	100	55	2	4X19, 4X25	-----
B2TBSPD102	150	100	60	2	8X25	-----
B2TBSPD103	200	150	65	4	10X25	-----
B2TBSPD104	200	200	70	4	12X25	-----



• Octagonal terminal boxes

Code	H	W	D	Fixed Lugs	Knockouts (NO.X Diameter)	
					Sides	Bottom
B2TBSPD101	92	92	55	2	16X25	4X25



B2TBSPD101

All dimension in charts and drawing are in millimeters